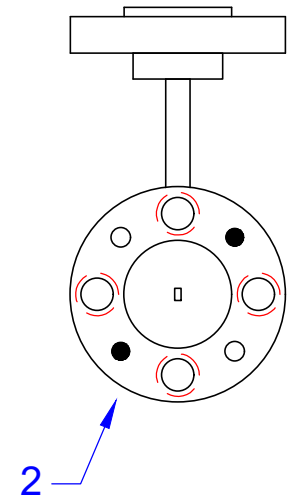
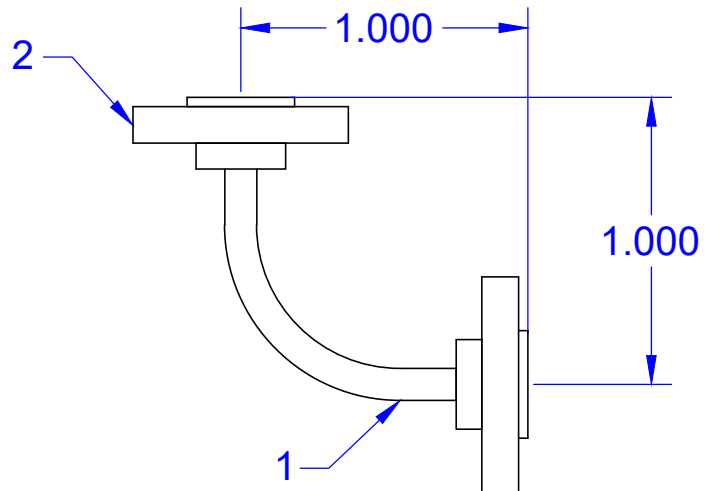
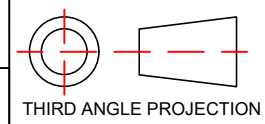


REVISIONS			
REV	DESCRIPTION	DATE	APPROVED
--	--	--	--



2	STOCK	UG387 FLANGE		2
1	STOCK	WR-4 WAVEGUIDE		1
QTY	PART NUMBER	DESCRIPTION		ITEM
UNLESS OTHERWISE SPECIFIED ALL SURFACES $\sqrt{32}$				
DIMENSIONS ARE IN INCHES TOLERANCES ARE: DECIMALS: .1234 +/- .0005 .123 +/- .005 .12 +/- .01 ANGLES: +/- .5 DEGREES				
ALL THREADS TO BE 2A OR 2B				
REF DWG# --	DATE: 6/10/2010			
ORIGINAL DWG# 20164	SHEET NO. 1	OF 1	SIZE A	DWG NO 22949



THIRD ANGLE PROJECTION

DRAFTING: K.S.

APPROVED: M.S.

Mi-Wave Millimeter Products Inc.

TITLE
**670H(WR-4)/387
H PLANE BEND
OUTLINE**